

**VERZUS 710RS/RSB**



# VERZUS 710RS/RSB Rockwell/Brinell hardness tester



# VERZUS 710RS/RSB Rockwell/Brinell hardness tester

The VERZUS 700 series are a new generation of hardness testing instruments. Constructed around a rock solid C-frame with unparalleled rigidity. The closed loop system based on a load cell and precision force actuator guarantees the best GR & R results ever seen on Rockwell hardness testers.

The tester meets or exceeds the ISO, ASTM and JIS standards and easily passes Nadcap auditing.

Test forces range from 1kgf/9.8N to 250kgf/2.45kN, state of art electronics, superior digital filter technology, advanced algorithms provide unmatched force control and excellent repeatability.

A full test cycle can be as little as 13 seconds (at a dwell time of 10 seconds).

Depth measurement via an optical system with a direct depth reading of 0.1 micron.

VERZUS stands for versatile.

Even the most basic model is equipped with Rockwell, Superficial Rockwell, HVT, HBT and Depth ball measurement.

All models include testing scales for plastic according to ISO 2039/1 and 2.

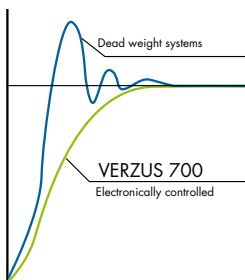
For demanding users the VERZUS can be equipped with a motorized spindle that lifts your work piece, without any effort, to the required testing position.

The model VERZUS 710RSB is supplied with a Brinell Indent Optical Scanner (BIOS) showing crisp Brinell indent images on the LCD screen. Fully automatic Brinell Indent measurement up to 250kgf testforce.

The outer skin of the tester is made of recyclable top class materials. The base is covered by a ABS shell that can withstand the harshest environments. No damage caused from falling testblocks or workpieces.

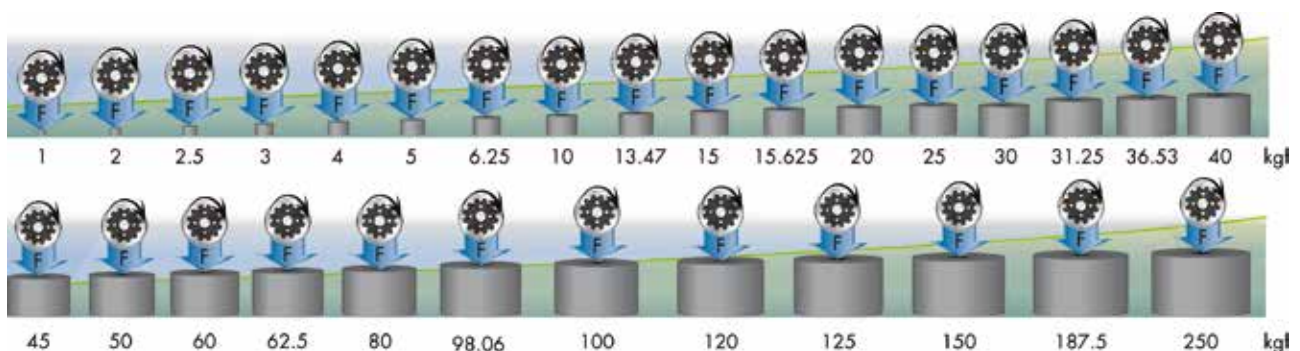
VERZUS, if being certain is your priority!

## Wide force range



A wide force range, for Rockwell, Brinell and more.  
1kgf up to 250kgf over load cell, closed loop system.

Electronically controlled loads secure a quick and precise load application as well as a quick test method change. A touch on the screen makes the correct setting.



# VERZUS 710RS Rockwell/Brinell hardness tester



# Overview of model configurations

## 710RS versus 710RSB

### 710RS

Rockwell  
 Superficial Rockwell  
 HVT(Vickers depth reading)  
 HBT (Brinell depth reading)  
 Plastic scales according to ISO 2039 1 & 2

### 710RSB

Rockwell  
 Superficial Rockwell  
 Brinell  
 HVT(Vickers depth reading)  
 HBT (Brinell depth reading)  
 Plastic scales according to ISO 2039 1 & 2

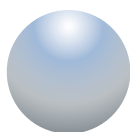
## Scales and testing methods, depending on force configuration

### Rockwell - DIN EN ISO 6508, ASTM E-18



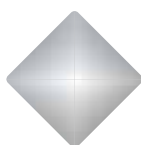
PRE LOAD 3kgf & 10kgf  
 MAIN LOAD 15kgf, 30kgf, 45kgf, 60kgf, 100kgf & 150kgf

### Brinell - DIN EN ISO 6506, ASTM E-10



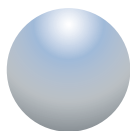
HB1/1kgf, HB1/1.25kgf, HB1/2.5kgf, HB1/5kgf, HB1/10kgf, HB1/30kgf;  
 HB2.5/6.25kgf, HB2.5/7.8125kgf, HB2.5/15.625kgf, HB2.5/31.25kgf, HB2.5/62.5kgf,  
 HB2.5/187.5kgf  
 HB5/25kgf, HB5/31.25kgf, HB5/62.5kgf, HB5/125kgf, HB5/250kgf  
 HB10/100kgf, HB10/125kgf, HB10/250kgf

### HVT (Vickers depth)



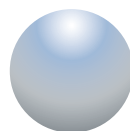
HV5      HV10      HV20      HV30      HV50      HV100      HV120

### HBT (Brinell depth)



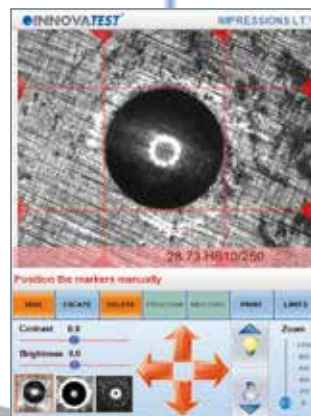
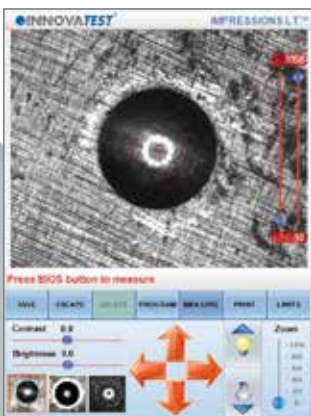
HBT1/5kgf, HBT1/10kgf, HBT1/30kgf;  
 HBT2.5/6.25kgf, HBT2.5/15.625kgf, HBT2.5/31.25kgf, HBT2.5/62.5kgf, HBT2.5/187.5kgf  
 HBT5/25kgf, HBT5/31.25kgf, HBT5/62.5kgf, HBT5/125kgf, HBT5/250kgf  
 HBT10/100kgf, HBT10/125kgf, HBT10/250kgf

### Ball indentation - ISO-2039, ASTM D-785



49N, 132N, 358N, 961N

# IMPRESSIONS™



# General functionality

## Intuitive operator interface IMPRESSIONS™

IMPRESSIONS™ is the ultra-modern user interface of all Innovatest hardness testing machines. IMPRESSIONS™ offers unparalleled simplicity in operation but yet, includes the most advanced functions found in hardness testing. With only a minimum of operator skills required, IMPRESSIONS™ leads you through the set up process, in just seconds, not even minutes. Standard features, complex tasks and advanced work flow at your fingertips.

Typical examples are:

Scale setting, Test methods setting, Limits, Conversion to other hardness scales, Graphics, File saving, Test program saving, Zoom function, Full screen, Test pattern, CNC stage control, Focus control, Z-Axis control.

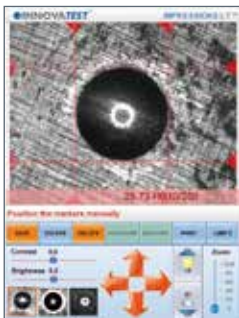
All standardized hardness testing methods have been programmed in the software and can be selected at any time.

## Graphic indent process evaluation



GIPE (Graphic Indent Process Evaluation). Impressions leads the user through each second of the indentation process. Approaching the indenter, final touch, the pre-load process, the main load process and finally an overview of all parameters that have led to the actual hardness value. Visualization of the entire process creates better understanding and constant control on each phase of the testing procedure. Errors show up in clear red images of the faulty zone while a text bar gives explanation of how to correct an error.

## Indent zoom magnification



The RSB model incorporates a special designed digital USB connected microscope that transfers high resolution & crisp images to the advanced system controller and HD display. The automatic measuring software incorporated in IMPRESSIONS® work flow control reads the Brinell indent in just seconds and displays the Brinell value according to ASTM or ISO standards. A unique feature that is standard on the RSB or can be purchased later on the RS models.

# Additional functionality...

## Report generator (standard)



The IMPRESSIONS™ system incorporates a very advanced report generator. The report generator allows you to publish all testing results and graphics, including pictures of the Brinell indentation in an easy to edit and easy to customize file size. You can add your company details and change the reporting lay-out to your requirements.

All reports can be printed on a connected (optional) standard printer without the need of a personal computer or any interface.

Reports can be exported to excel or word or simply stored as PDF on the systems hard disks.

## Easy connections



The powerful embedded micro controller running MS Windows® provides an almost unlimited connectivity to the outside world, wired, or not. Multiple USB ports, RJ45 LAN, W-LAN, BlueTooth, RS-232, HDMI & VGA are available on all models.

## Motorized spindle (optional)



The Verzus 710 series also offers the option of a motorized precision spindle. The spindle moves work pieces up to 100kg to its testing position by just a push on the button. While often motorized spindles can't be controlled manually, Verzus 710 has a manual operation mode as well. This means that the tester can be operated manually over the standard installed hand wheel even if the option "motorized spindle" is installed.



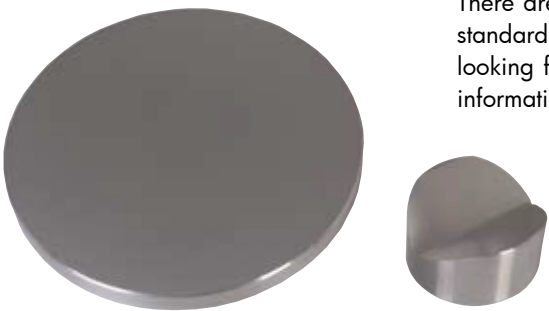
## Accessories...

### Workpiece clamp (standard)



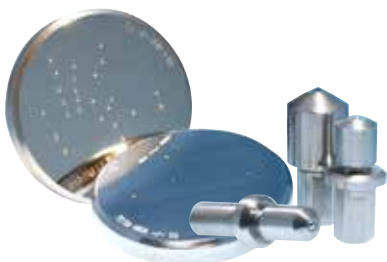
Irregular shaped work pieces require clamping on the anvil or worktable. The Verzus 710 is standard equipped with an adjustable and removable work piece clamp that clamps the work piece firmly to the test table but also offers collision protection for the indenter.

### Anvils & test tables



There are a large number of anvils and test tables available. Please check the standard accessories table and the optional accessories table. If the anvil you are looking for is not mentioned, please contact our sales department for updated information.

### Indenters and testblocks



Innovatest offers MASTERBLOCK™ hardness test blocks and indenters. A wide range of ISO & ASTM traceable certified hardness comparison blocks for the periodical inspection of your hardness tester.

Please contact our sales department and ask for a comprehensive catalogue or a standard set of blocks that fits the best with the machine type.

# Technical specifications

Hardness scales RS	Rockwell and Superficial Rockwell all scales, HVT, HBT, Ball indentation
Hardness scales RSB	Rockwell and Superficial Rockwell and all Brinell scales (1kgf/9.8N to 250kgf/2452N)
Load application	Load cell, force feedback, closed loop system
Rockwell Pre load	3kgf and 10kgf
Rockwell main load	15kgf, 30kgf, 45kgf, 60kgf, 100kgf, 150kgf
Rockwell test scales	A, B, C, D, E, F, G, H, K, L, M, P, R, S, V
Superficial Rockwell scales	15N, 30N, 45N, 15T, 30T, 45T, 15W, 30W, 45W, 15X, 30X, 45X, 15Y, 30Y, 45Y
Brinell test load (RSB model)	1kgf/9.8N to 250kgf/2452N
Brinell test scales (RSB model)	HB1: 1kgf/9.8N, 1.25kgf/12.25N, 2.5kgf/24.5N, 5kgf/49N, 10kgf/98N, 30kgf/295N; HB 2.5: 6.25kgf/61.29N, 7.8125kgf/76.61N, 15.625kgf/153.2N, 31.25kgf/306.45N, 62.5kgf/612N, 187.5kgf/1838N; HB5: 25kgf/245.16N, 31.25kgf/306.45N, 62.5kgf/612N, 125kgf/1225N, 250kgf/2452N; HB10: 100kgf/980.7N, 125kgf/1225N, 250kgf/2452N;
HVT test scales	HV5, HV10, HV20, HV30, HV50, HV100, HV120
HBT test scales	HBT1/5kgf, HBT1/10kgf, HBT1/30kgf; HBT2.5/6.25kgf, HBT2.5/15.625kgf, HBT2.5/31.25kgf, HBT2.5/62.5kgf, HBT2.5/187.5kgf; HBT5/25kgf, HBT5/31.25kgf, HBT5/62.5kgf, HBT5/125kgf, HBT5/250kgf; HBT10/100kgf, HBT10/125kgf, HBT10/250kgf;
Ball indentation	49N, 132N, 358N, 961N
Operating system	MS Windows® Embedded , INNOVATEST IMPRESSIONS LT, 32Gb SSD harddrive for data storage
Display	6.5" full color industrial touch screen, testing results, statistics, can also be operated by mouse and keyboard
Display overview	Conversion to other hardness scales such as Brinell, Vickers, Leeb, UTM. convex, concave adjustment, machine settings, calibration
Standards	Meets or exceeds ISO, ASTM, JIS standards
Test cycles	Motorized, fully automatic, Pre load, Load, Dwell, Unload process
Indenters	Rockwell Diamond Cone: 120° Rockwell balls: 1/16", 1/8", 1/4", 1/2" Brinell Balls: 1mm, 2.5mm, 5mm, 10mm
Dwell time	Pre-load 1-99 seconds, Main load 1-99 seconds, Recovery 1-99 seconds
Connectivity	USB-2 (3x), LAN RJ45, WLAN (Optional), Wi-Fi onboard (Optional), Bluetooth (Optional)
Service connection	Software service over internet "INNOVATEST Team Viewer" pre-installed
Printer	Any MS Windows® supported printer
Optical system RSB	BIOS, Brinell Indent Optical Scanner (RSB)
Workpiece accommodation	Vertical capacity 300mm Horizontal capacity 200mm (from indenter center-line)
Operating temperature	10°C to 35°C, non-condensing
Machine dimensions	290mm x 588mm x 845mm (WxDxH)
Max. workpiece weight	100kg
Machine weight	91kg
Power supply	100V AC to 240V AC, 50Hz/60Hz, single phase

# Configurations, features & accessories

## Standard features

- Load cell, force feedback, closed loop system
- High performance embedded fanless micro PC
- MS Windows embedded operating system
- Excellent accuracy
- Unmatched GR & R results in its class
- Load range 1kgf/9.8N up to 250kgf/2452N
- Fully automatic operation
- Meets or exceeds ISO, ASTM and JIS standards
- Shape correction settings for curved surfaces
- Go/No Go function with visual and acoustic warning
- Large memory for measurements with statistic results
- Easy calibration function
- Testing program storage
- Testing value storage
- Standard workpiece clamping attachment
- Printer & USB (3x), RJ45-LAN, W-LAN (optional), Wi-Fi onboard (Optional), Bluetooth (Optional) output
- Wireless mouse and keyboard
- Digital USB Brinell microscope (RSB model)
- Large workpiece accommodation
- Software service over internet  
"INNOVATEST Team Viewer" pre-installed

## Standard configuration & accessories

- Flat anvil, hardened,  $\varnothing 60\text{mm}$
- V-anvil, hardened,  $\varnothing 80\text{mm}$
- Fuse 3A slow (2 pcs)
- Power cable
- BIOS, Brinell Indent Optical Scanner (RSB)
- Four adjustable feet
- INNOVATEST® certificate
- Installation and user manual

## Optional features & accessories

- Factory indenters
- Certified indenters (UKAS, DKD, ASTM)
- Factory reference hardness blocks
- Certified reference hardness blocks (UKAS, DKD, ASTM)
- Testing table, hardened,  $\varnothing 180\text{mm}$
- Large testing table 350mm x 250mm with T-slot and spindle adapter
- Custom testing tables
- Goose neck indenter holder
- Precision vice for small parts, jaw width 36mm
- Precision vice for small parts, jaw width 42mm
- Precision vice for small parts, jaw width 75mm
- V-blocks and special clamps
- Manual X-Y stage 100mm x 60mm, micrometer travel 25mm x 25mm
- Motorized spindle operation
- Solid tester table and storage cabinet

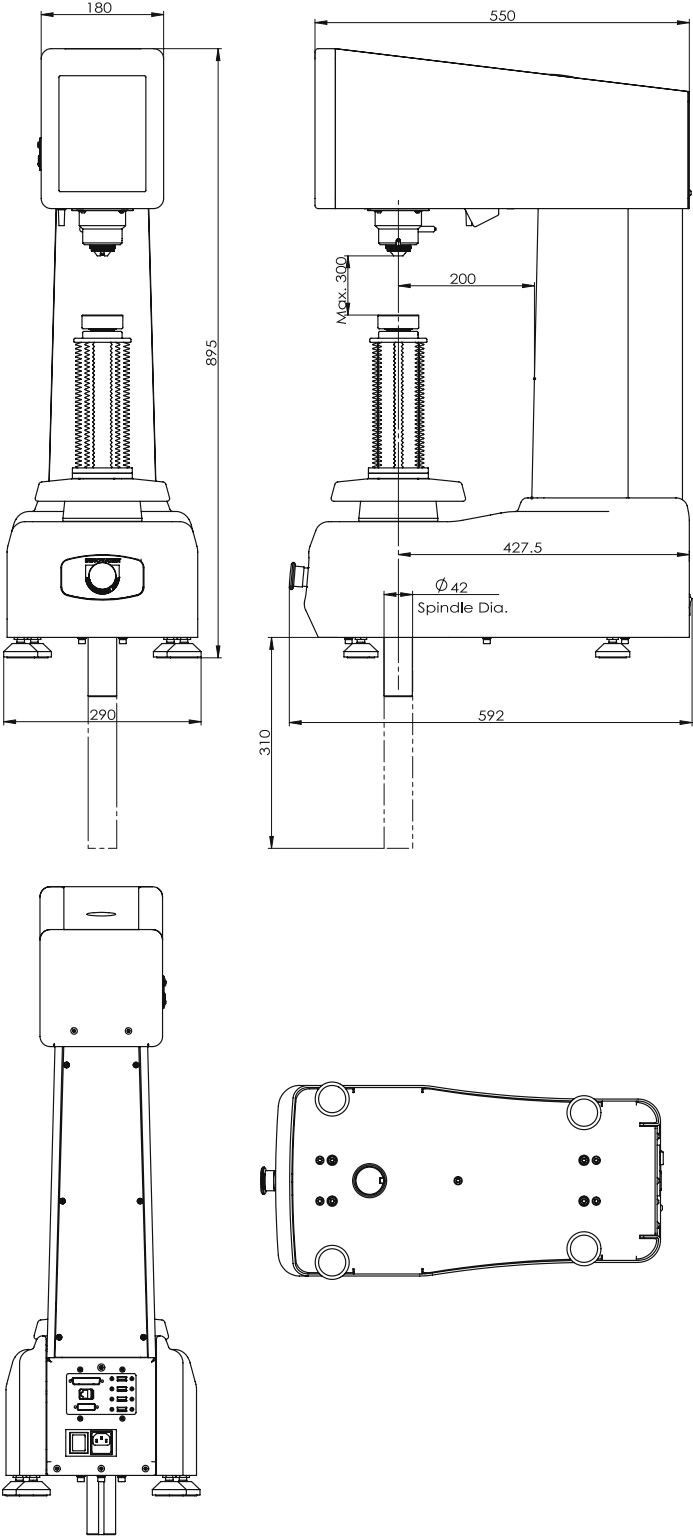
# Order details

Standard frame size			
VERZUS 710RS	1kgf - 250kgf	Rockwell, Superficial Rockwell, HVT, HBT, Ball ISO 2039 1/2	250kgf
VERZUS 710RSB	1kgf - 250kgf	Rockwell, Super Rockwell, Brinell, HVT, HBT, Ball ISO 2039 1/2	250kgf



# Technical Drawing VERZUS 710/RSB

All dimensions are in mm



**INNOVATEST**



# VERZUS 710RS/RSB working table

## Features

- Solid stand: 710mm × 750mm × 825mm (UN-STAND/960).
- 100% retractable drawer, bearing guidance, max 100kg load. Rubber anti slip bottom
- Lockable cabinet, 360mm high
- Adjustable feet, (+/- 50mm height adjustable to reach ergonomic working position)
- Made of corrosion resistant zinc plated steel with RAL powder coating
- Carrying capacity of 400kg
- Top surface made of 50mm Plywood with 1.5mm chemical resistant plastic plating, edges made of shock resistant 3mm ABS side liner
- Industrial quality, for workshop or laboratory
- Designed for hardness testing instruments, painted in INNOVATEST® RAL colors that match with the testers.

## Technical Specifications

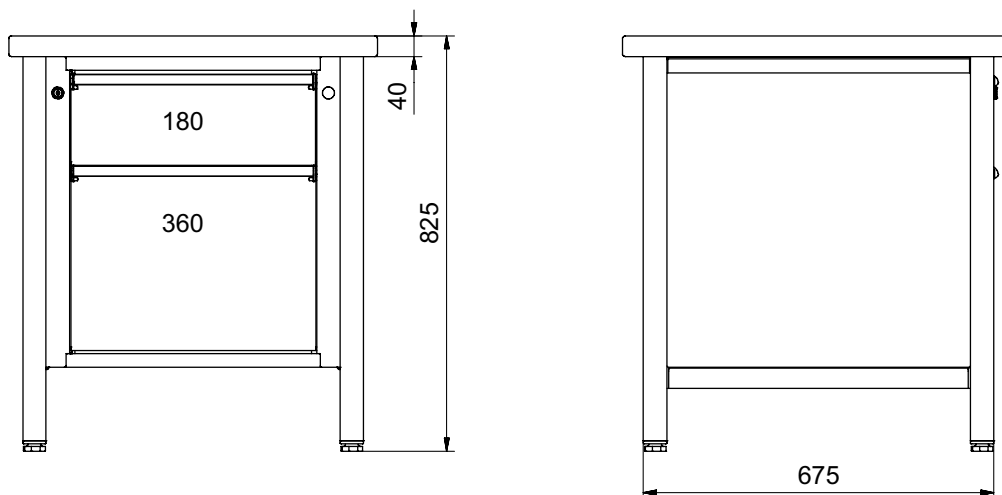
Dimensions	710mm × 750mm × 825mm (UN-STAND/960)
Drawer	180mm
Cabinet	360mm high (lockable)

## Standard Delivery

- Steel frame with table top
- 100% retractable drawer with anti-slip
- Lockable cabinet
- Adjustable feet



## All dimensions are in mm



Represented by :



**Gnehm Härteprüfer AG**  
Bönirainstrasse 13, 880 Thalwil  
Tel. +41 (0) 44 725 43 42 Fax +41 (0) 44 725 96 05  
vertrieb@gnehm-haertepreuefer.ch  
www.gnehm-haertepreuefer.ch



## **CORPORATE HEAD OFFICE**

### **INNOVATEST Europe BV MANUFACTURING, DISTRIBUTION & SERVICE**

Borgharenweg 140  
6222 AA Maastricht (The Netherlands)  
Phone: +31 43 3520060  
Fax: +31 43 3631168  
E-mail: [info@innovatest-europe.com](mailto:info@innovatest-europe.com)  
Website: [www.innovatest-europe.com](http://www.innovatest-europe.com)

INNOVATEST has a global presence for sales and service. Please contact our head office for contact details on the nearest branch office or distributor.

---

### **INNOVATEST Shanghai Co., Ltd. DISTRIBUTION, SALES & SERVICE**

Building 2, No.123, 1165 Nong Jindu Road,  
South Metropolis Industrial Park  
Minhang District, Shanghai, P.R. China  
Zip code: 201108  
Phone: +86 21 60906200  
Fax: +86 21 60912595  
E-mail: [info@innovatest-shanghai.com](mailto:info@innovatest-shanghai.com)  
Website: [www.innovatest-shanghai.com](http://www.innovatest-shanghai.com)

### **INNOVATEST Polska Sp. z o.o. SALES & SERVICE**

ul. Komornicka 127  
62-051 Wiry, Polska  
Phone : +48 697 099 826  
E-mail [info@innovatest-polska.pl](mailto:info@innovatest-polska.pl)  
Website: [www.innovatest-polska.pl](http://www.innovatest-polska.pl)

### **INNOVATEST Japan Co., Ltd. SALES & SERVICE**

3-36-13, Horinouchi, Suginami-ku,  
Tokyo, Japan 166-0013  
Phone: +81 4 2937 7540  
Fax: +81 4 2937 7542  
E-mail: [info@innovatest-japan.com](mailto:info@innovatest-japan.com)  
Website: [www.innovatest-japan.com](http://www.innovatest-japan.com)

### **INNOVATEST South East Asia CUSTOMER SUPPORT CENTER**

20 Sin Ming Lane #05-58 Midview City  
Singapore 573 968  
Phone: +65 6451 1123  
Fax: +65 6452 1011  
E-mail: [info@innovatest-singapore.com](mailto:info@innovatest-singapore.com)

Changes in products and/or product specifications can emerge due to new technologies and continuous development. We reserve the right to change or modify specifications of the products without prior notice. We recommend you to contact our sales office for up-to-date information. © All rights reserved